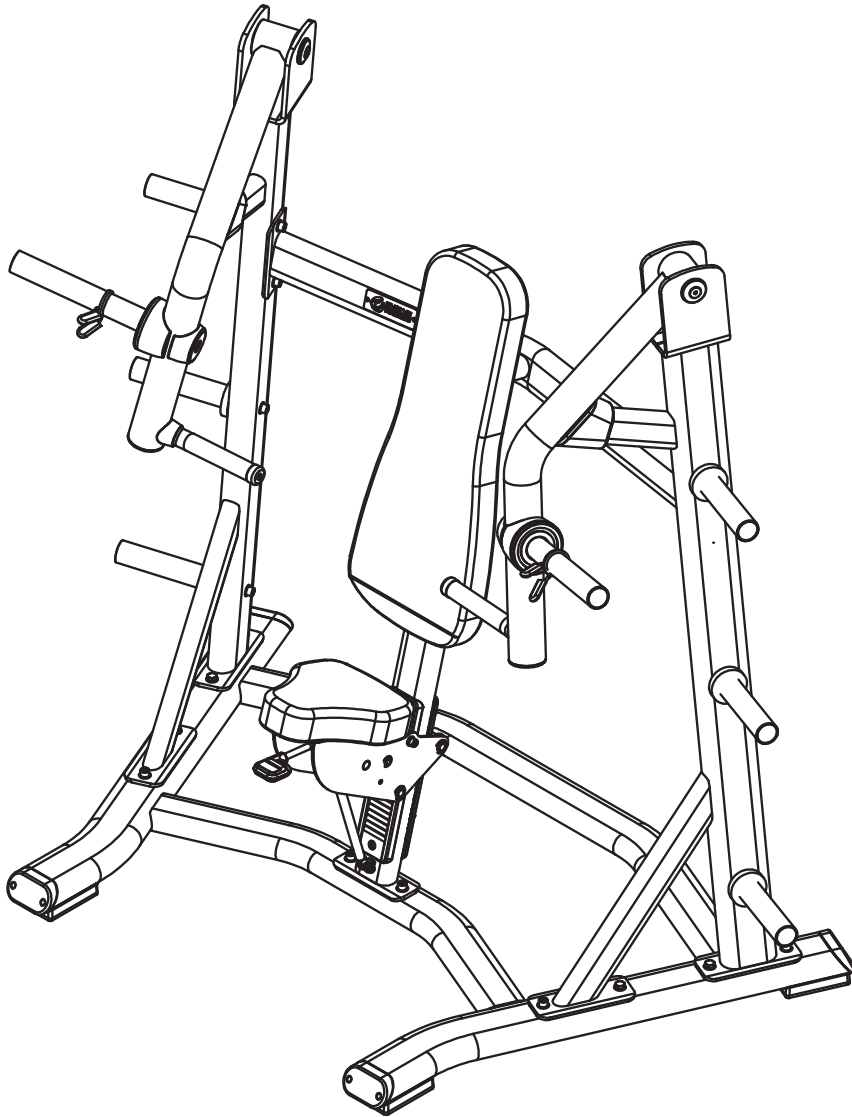


# EVOLVE

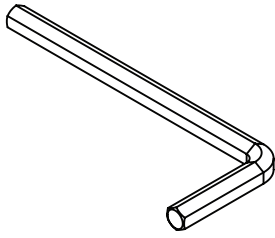
## INSTRUCTION MANUAL INCLINE CHEST PRESS



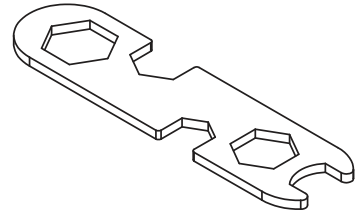
**MAKE SURE YOU HAVE THE  
MOST UP TO DATE. THIS IS:  
Version A**



# TOOLS REQUIRED

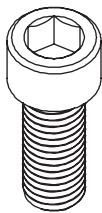


**Allen Key**  
(1x) 4mm  
(1x) 6mm  
(1x) 8mm  
(1x) 10mm

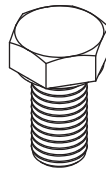


**Wrench**  
(1x) 13 mm

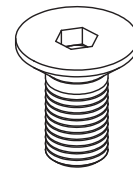
# HARDWARE



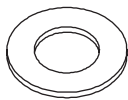
**Socket Head Bolt**  
(4x) M10\*30  
(16x) M12\*30



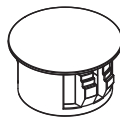
**Hex Head Bolt**  
(4x) M12\*30



**Flat Head Bolt**  
(2x) M12\*35



**Flat Washer**  
(4x) M10  
(20x) M12



**Tube Plug**  
(2x) D15



# BEFORE YOU BEGIN



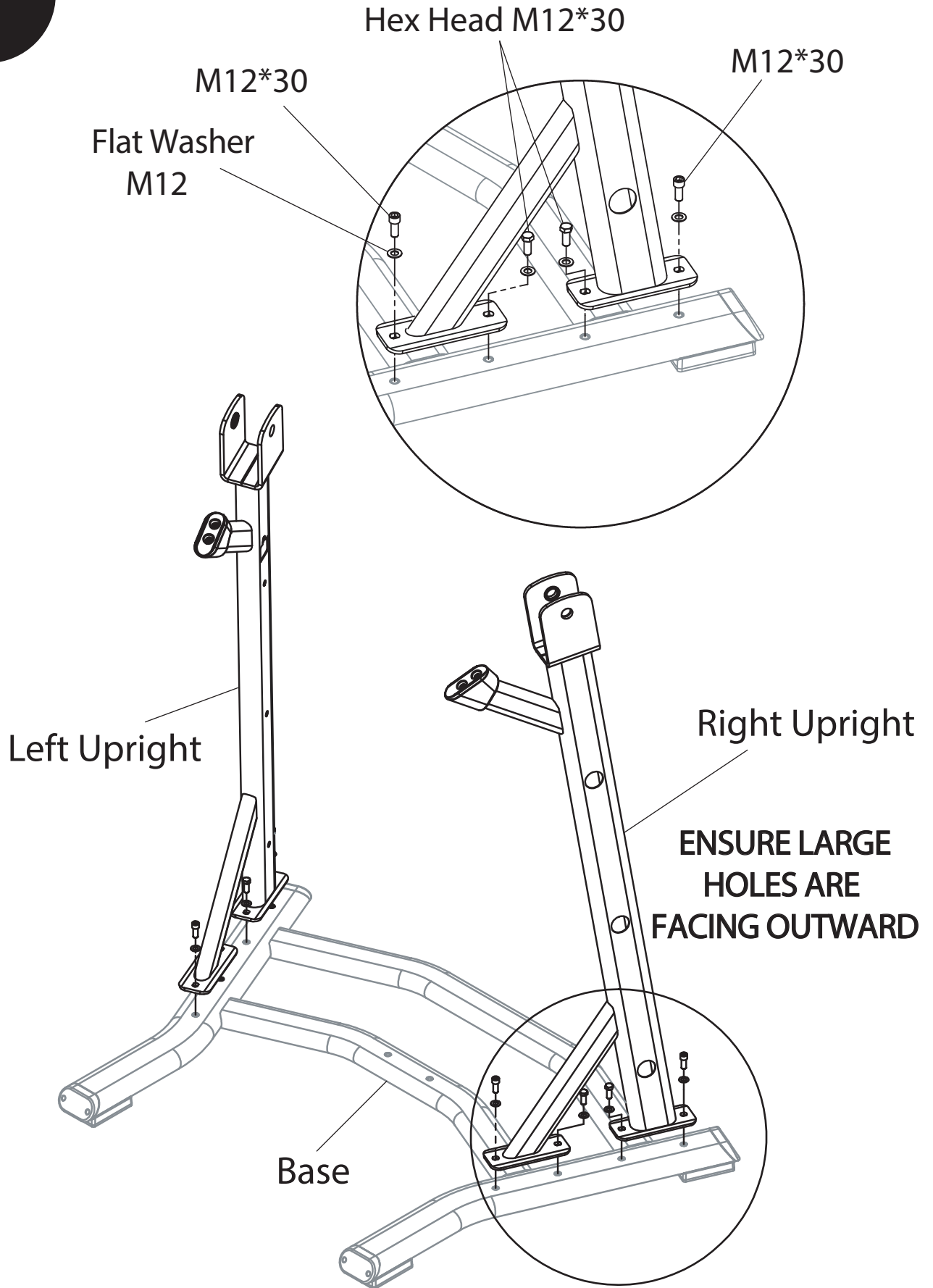
1. Verify that all components and hardware are included and undamaged. Report any issues immediately.
2. Ensure that you have all the necessary tools before starting the installation.
3. Do **NOT** fully tighten bolts during assembly unless instructed. This helps to ensure proper alignment of all parts.



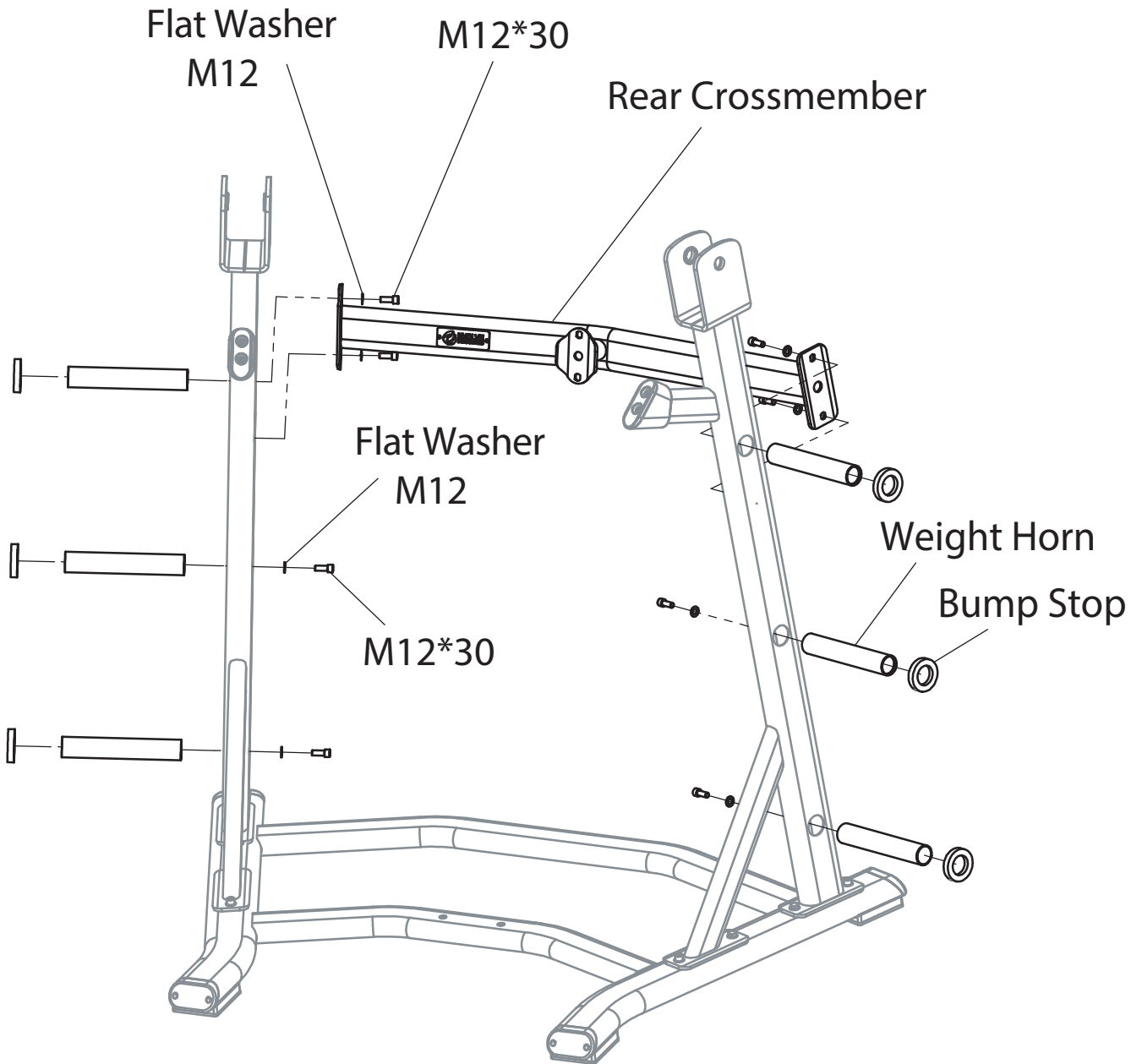
Access Warranty Information Here



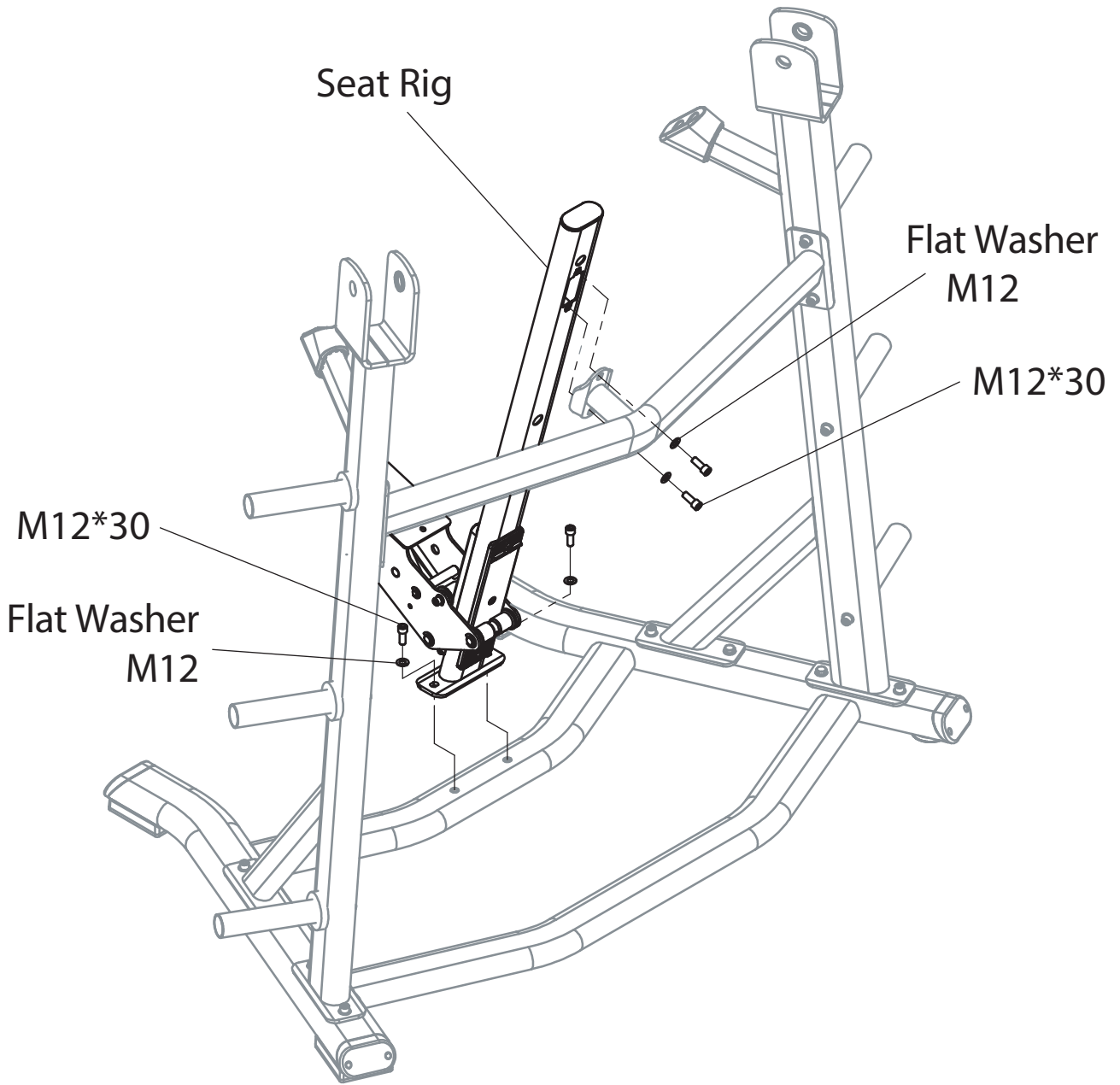
1



2

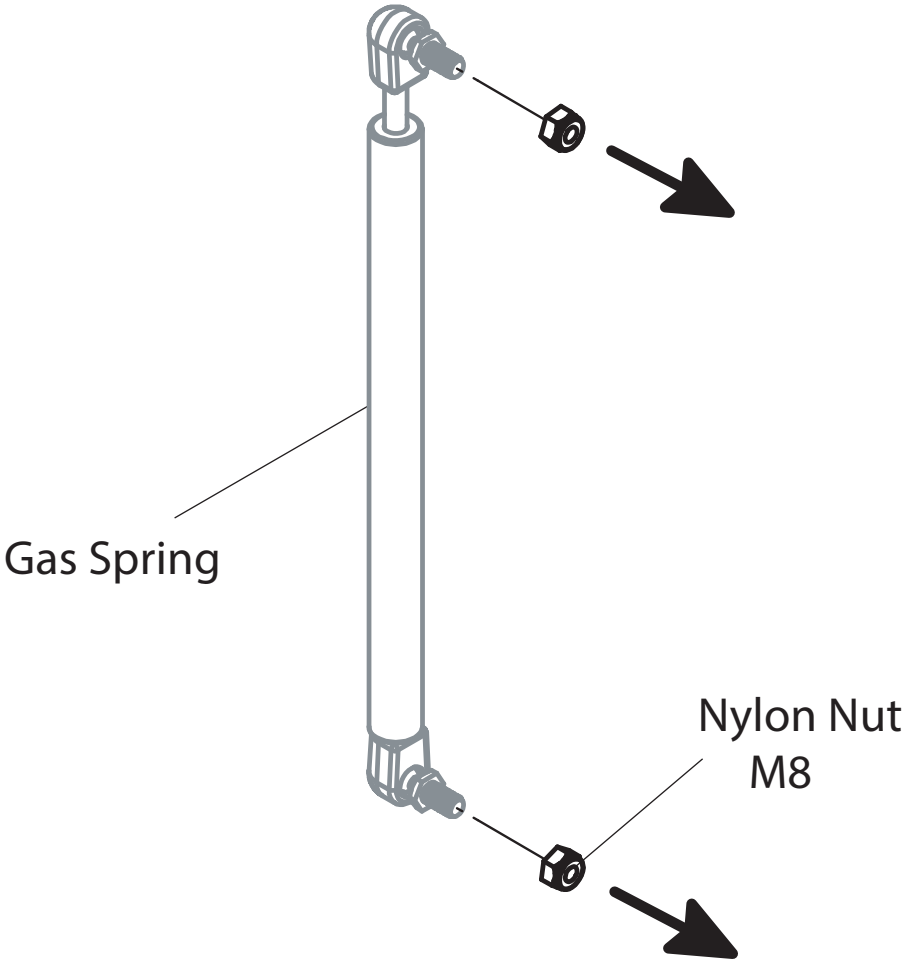


3

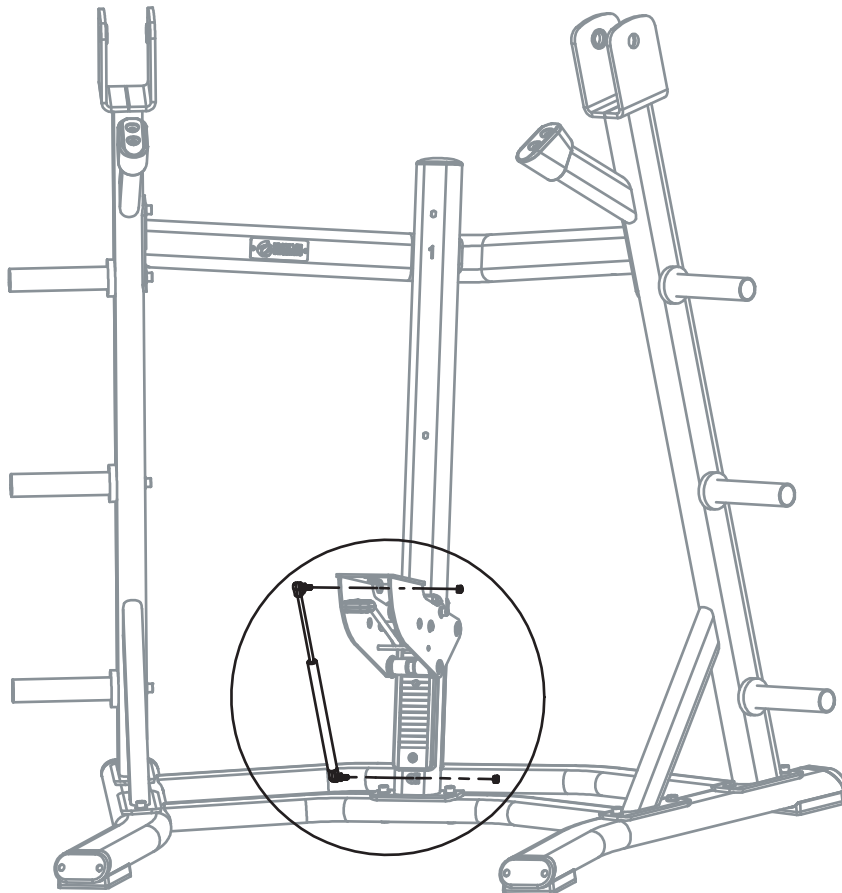
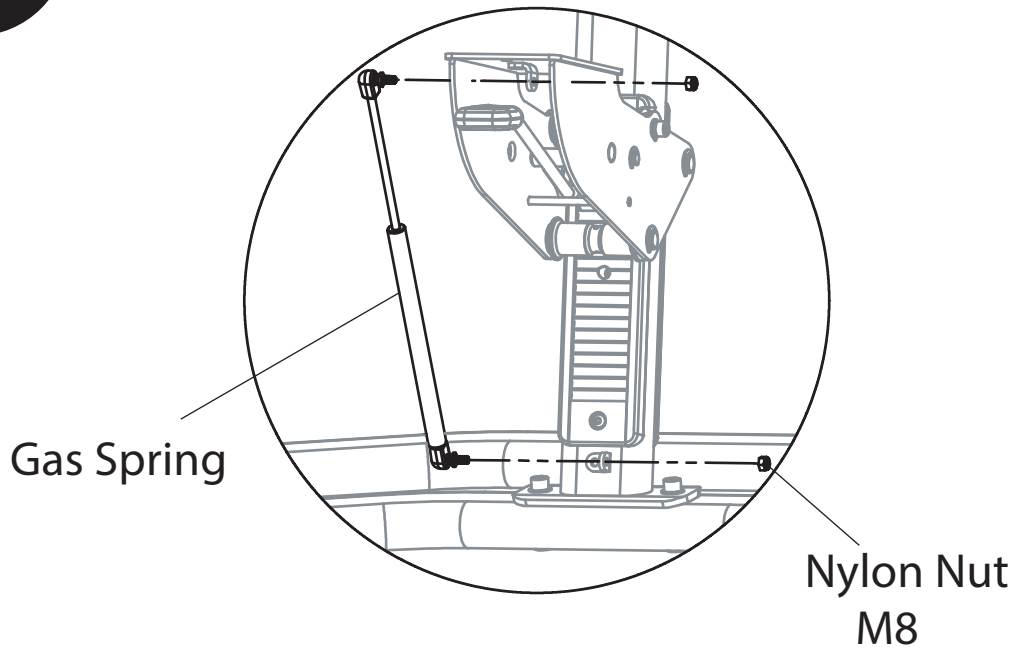


# 4

# UNINSTALL

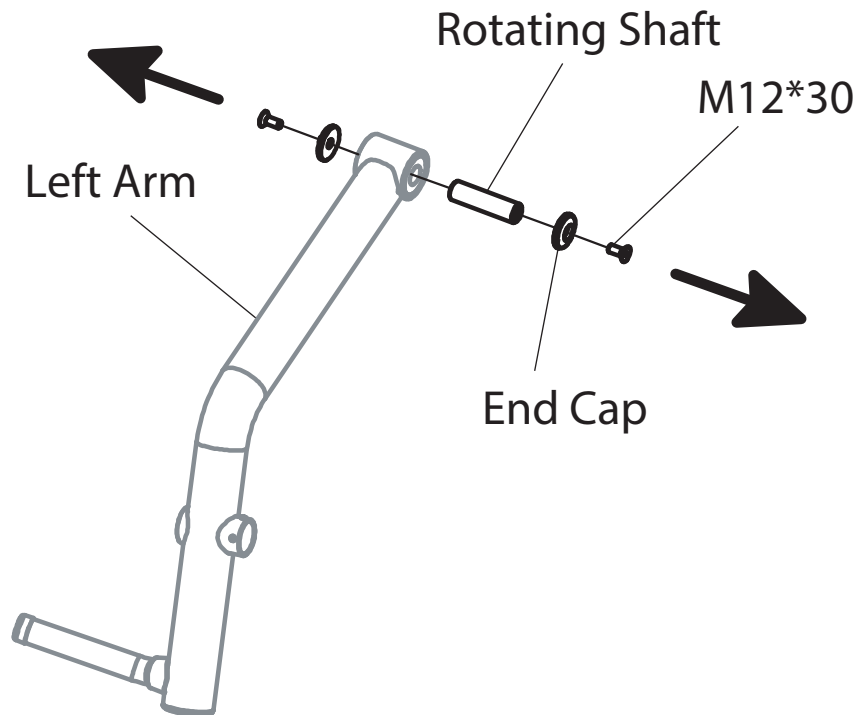
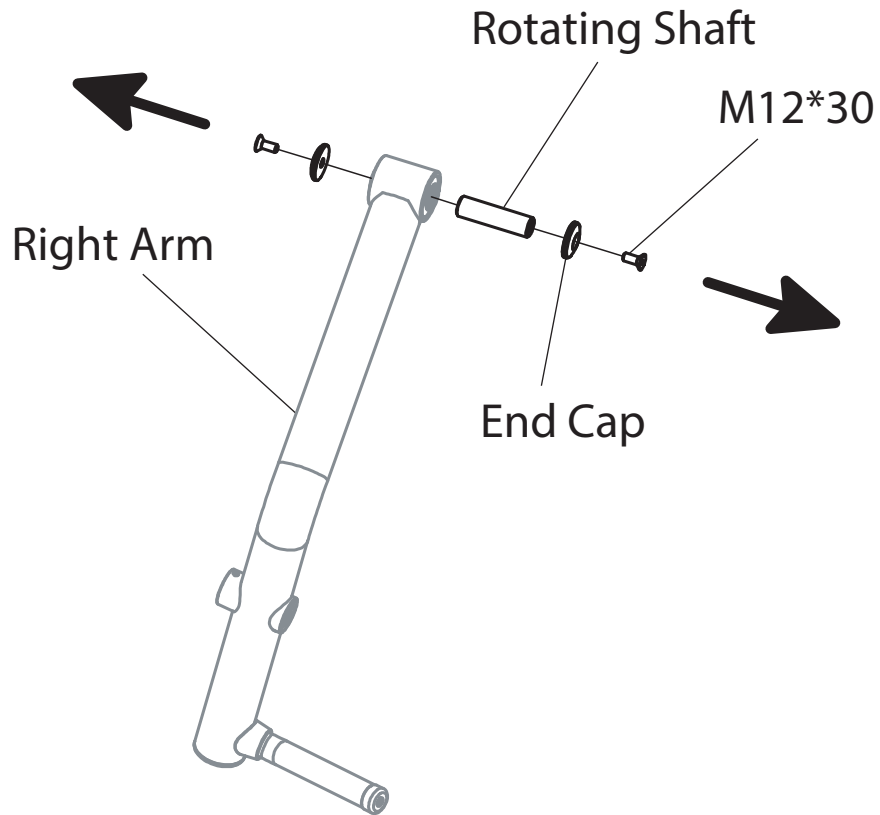


5

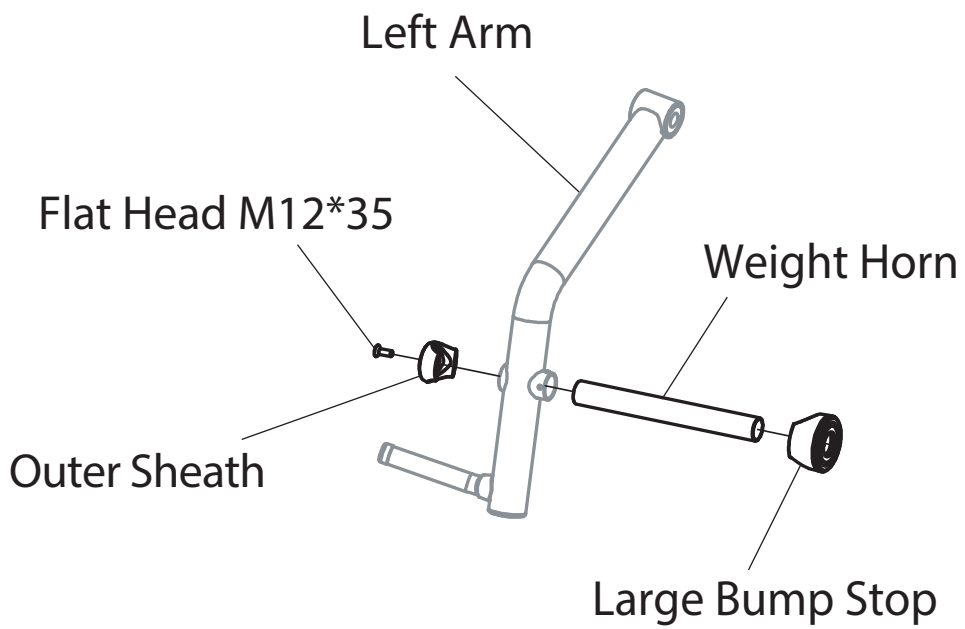
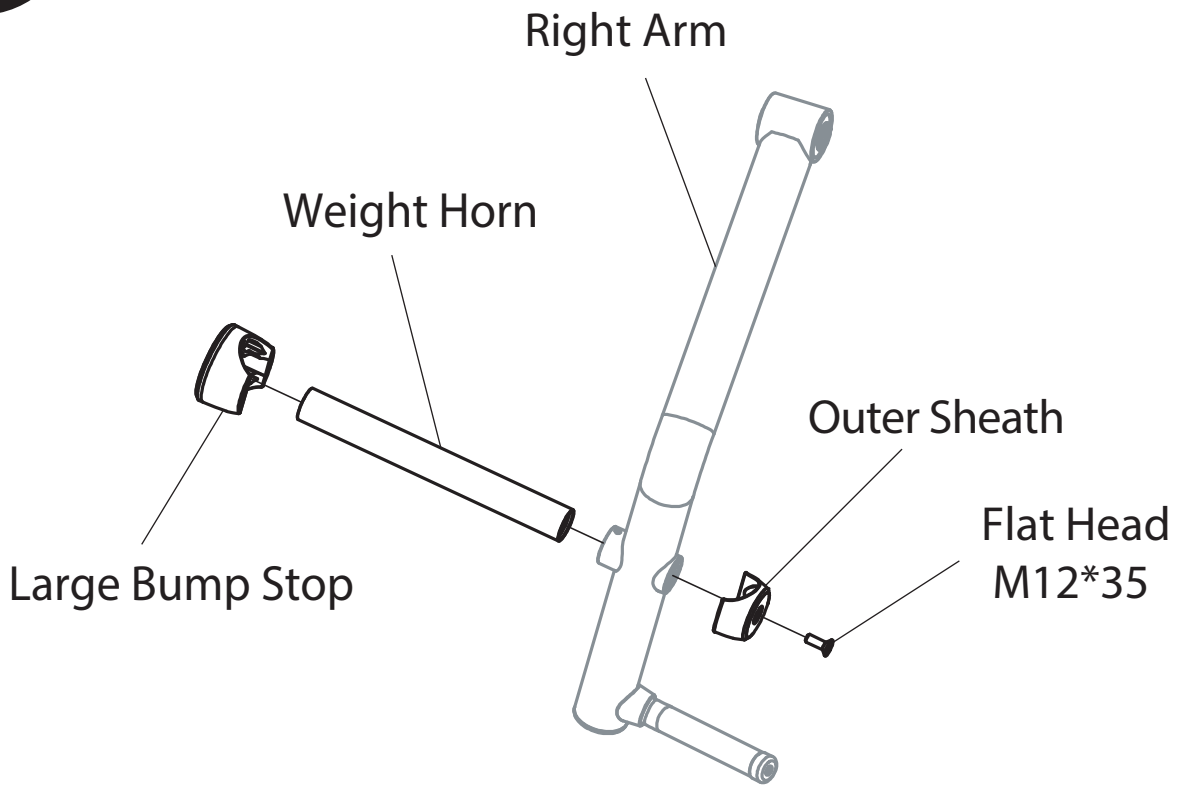


# 6

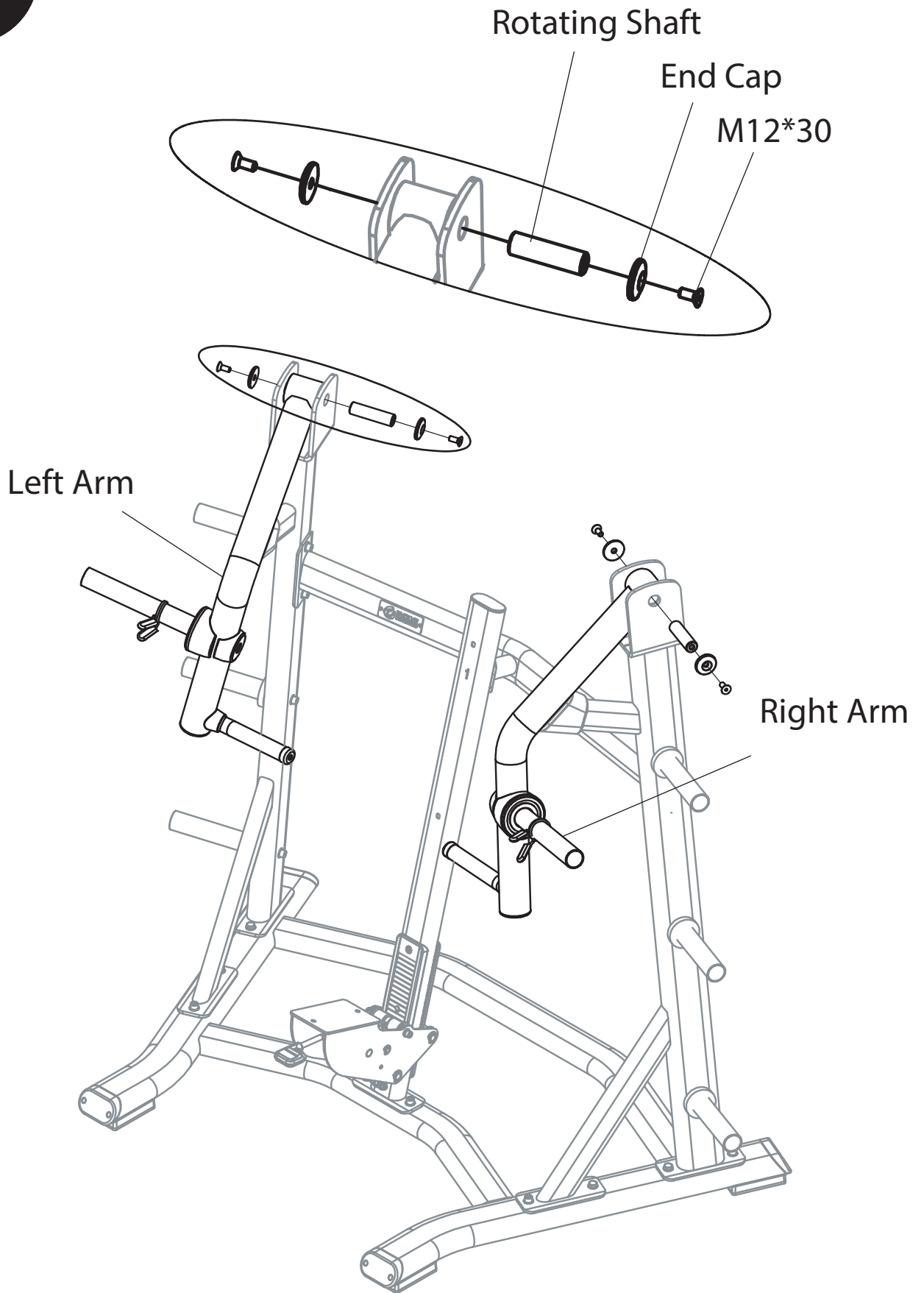
# UNINSTALL



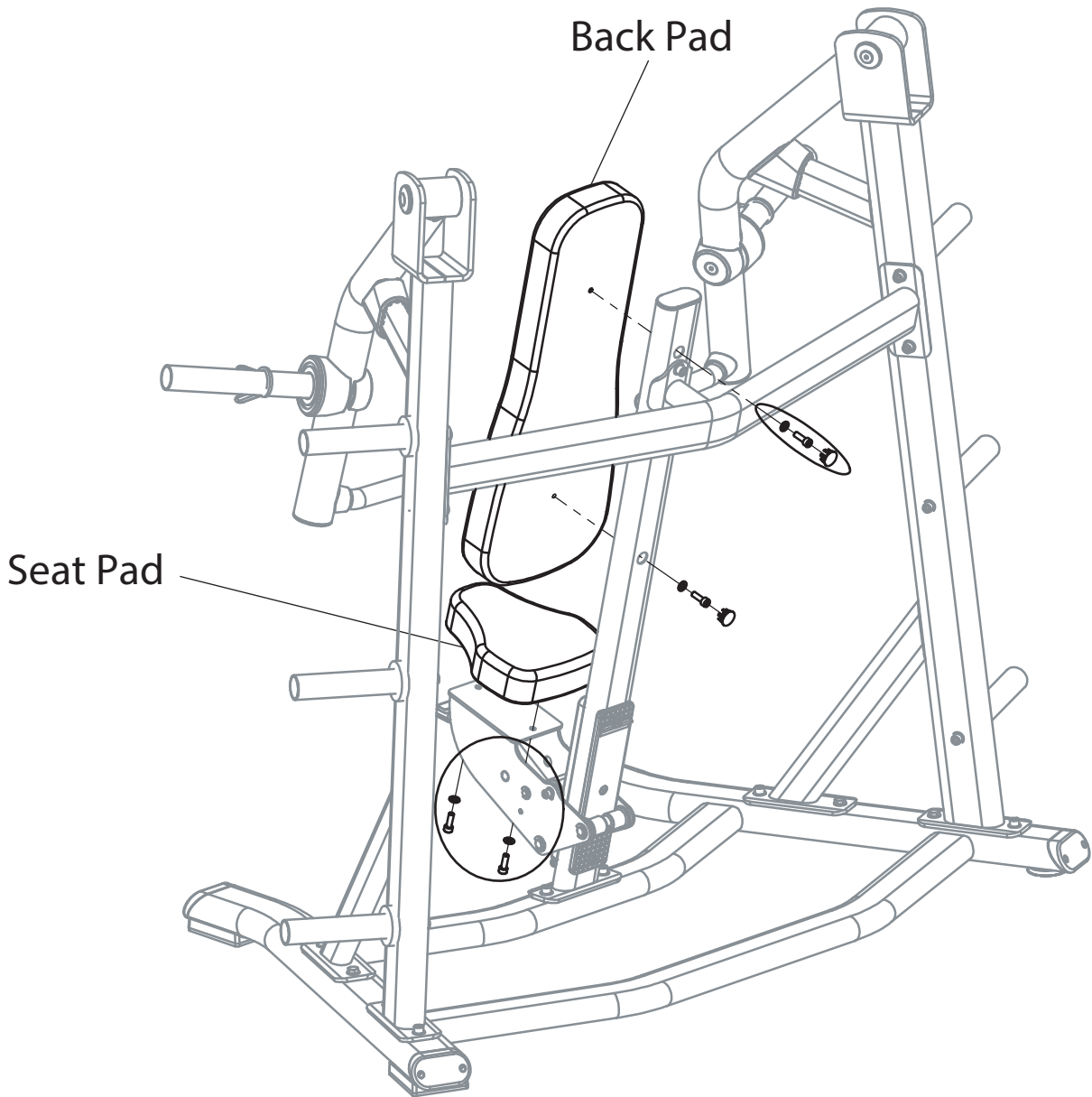
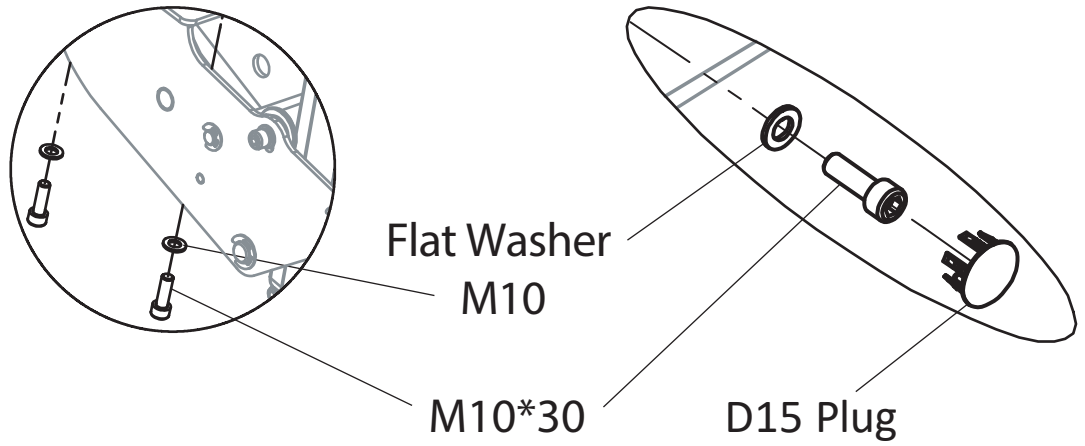
7



8



9



## POST INSTALLATION

1. Tighten all hardware prior to testing the functionality of the machine.
2. Do **NOT** use if any components are damaged or if the machine does not function as intended.
3. Report any damage immediately to your local rep.

## MAINTENANCE

1. **LEATHER** should be cleaned regularly to prolong the longevity of the fabric.
2. **LARGE BUMP STOP** from step seven may need periodic tightening with 4mm allen key.

