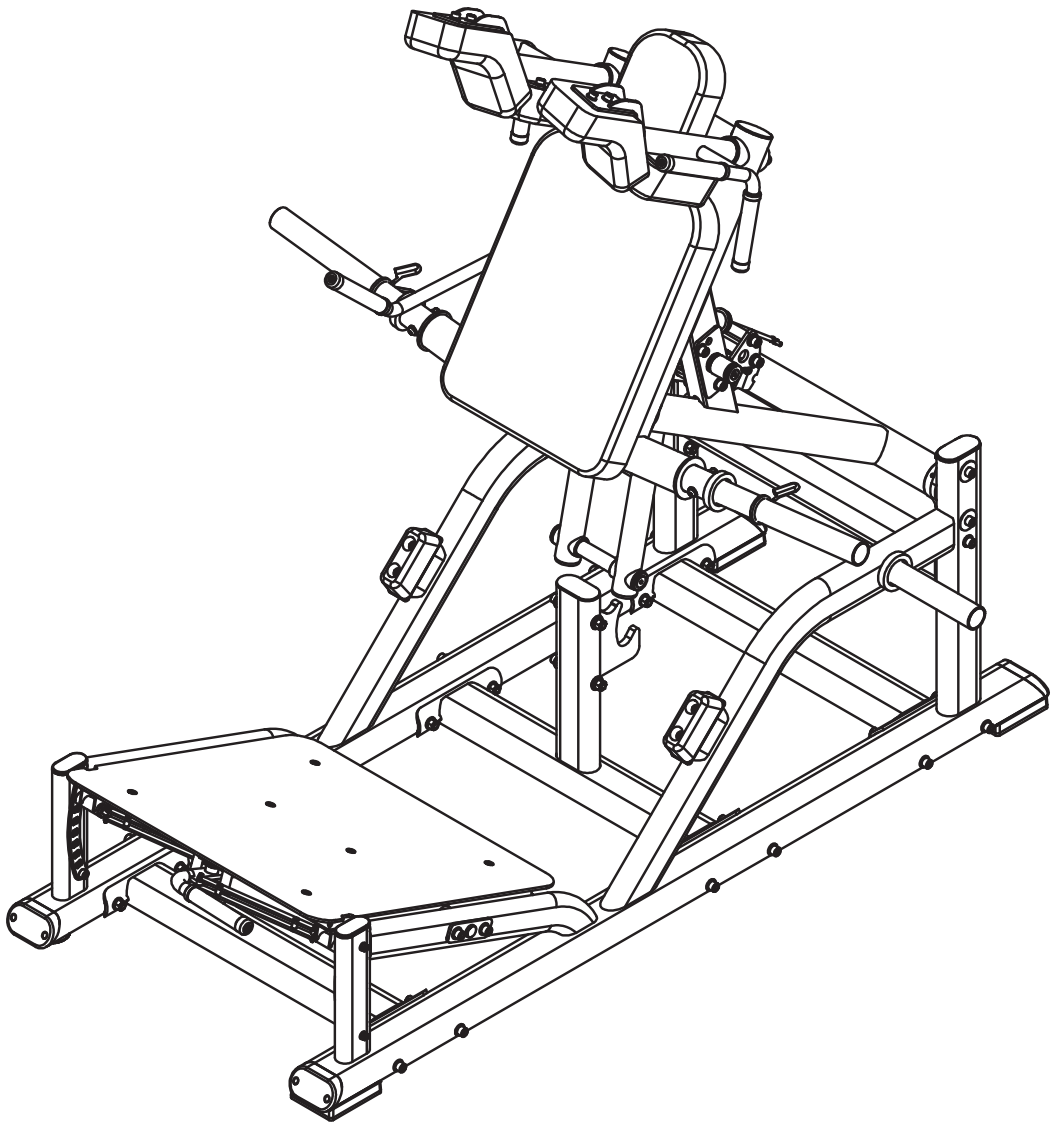


EVOLVE

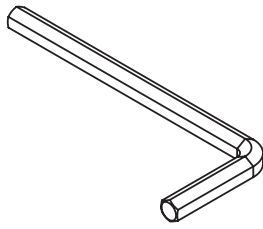
INSTRUCTION MANUAL V-SQUAT



**MAKE SURE YOU HAVE THE
MOST UP TO DATE. THIS IS:
Version A**

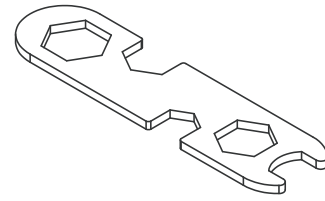


TOOLS REQUIRED



Allen Key

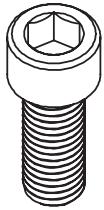
(1x) 5mm
(1x) 6mm
(1x) 8mm
(1x) 10mm



Wrench

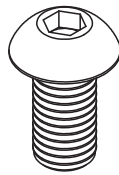
(1x) 13/17/19mm

HARDWARE



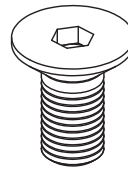
Socket Head Bolt

(14x) M10*30
(5x) M10*95
(6x) M12*25
(8x) M12*35
(4x) M12*70
(4x) M12*80
(4x) M12*85
(12x) M12*145



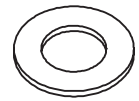
Button Head Bolt

(2x) M10*70



Flat Head Bolt

(6x) M8*45



Flat Washer

(6x) M8
(23x) M10
(58x) M12
(4x) M12 D44



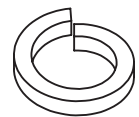
Spacer

(4x) D16



Nylon Nut

(6x) M8
(2x) M10
(24x) M12



Split Washer

(8x) M12



BEFORE YOU BEGIN



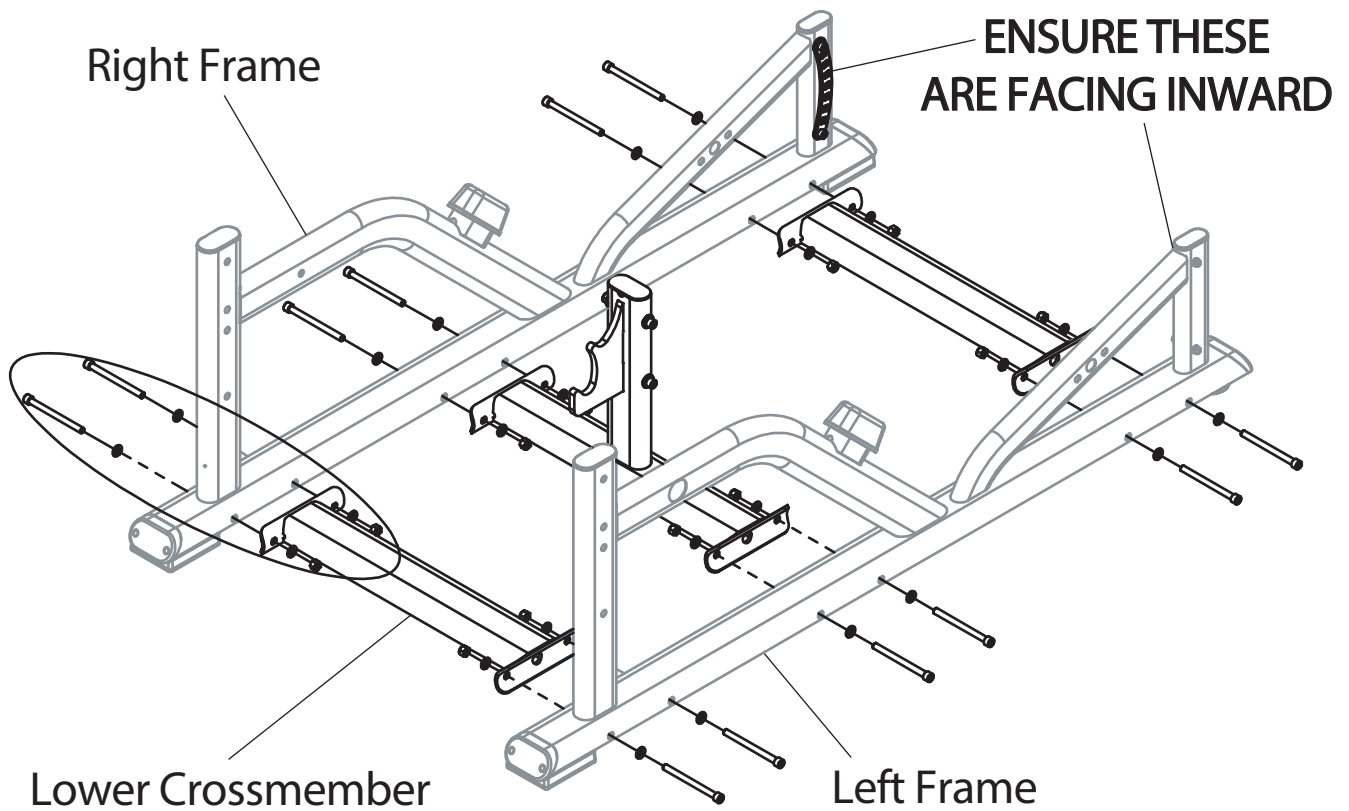
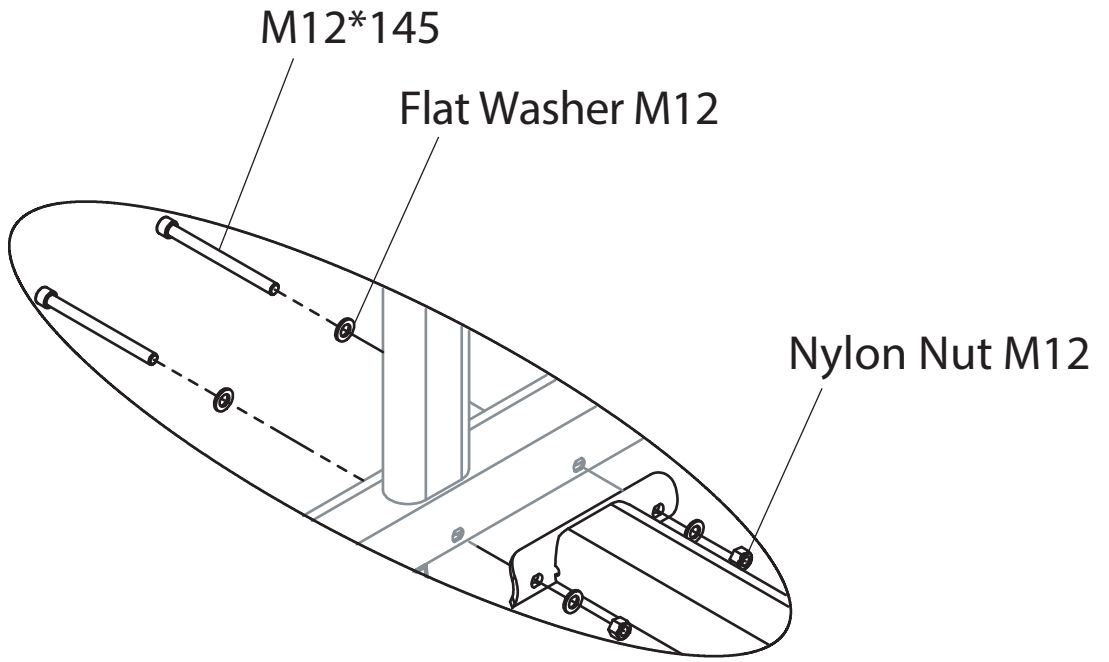
1. Verify that all components and hardware are included and undamaged. Report any issues immediately.
2. Ensure that you have all the necessary tools before starting the installation.
3. Do **NOT** fully tighten bolts during assembly unless instructed. This helps to ensure proper alignment of all parts.



Access Warranty Information Here



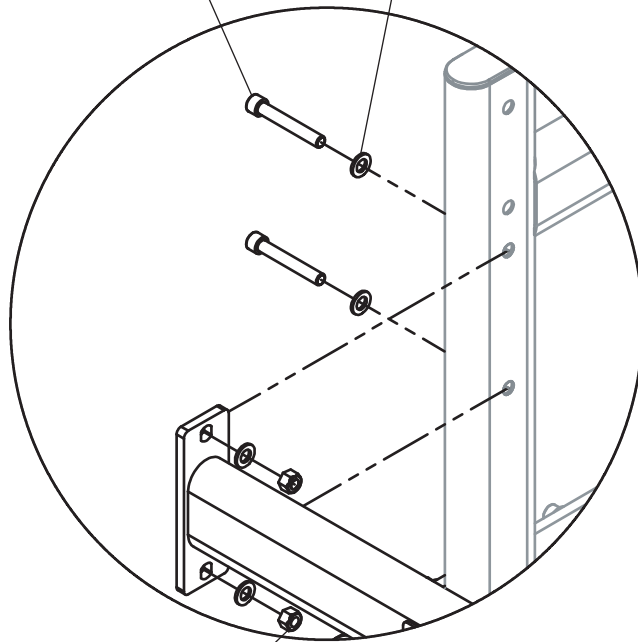
1



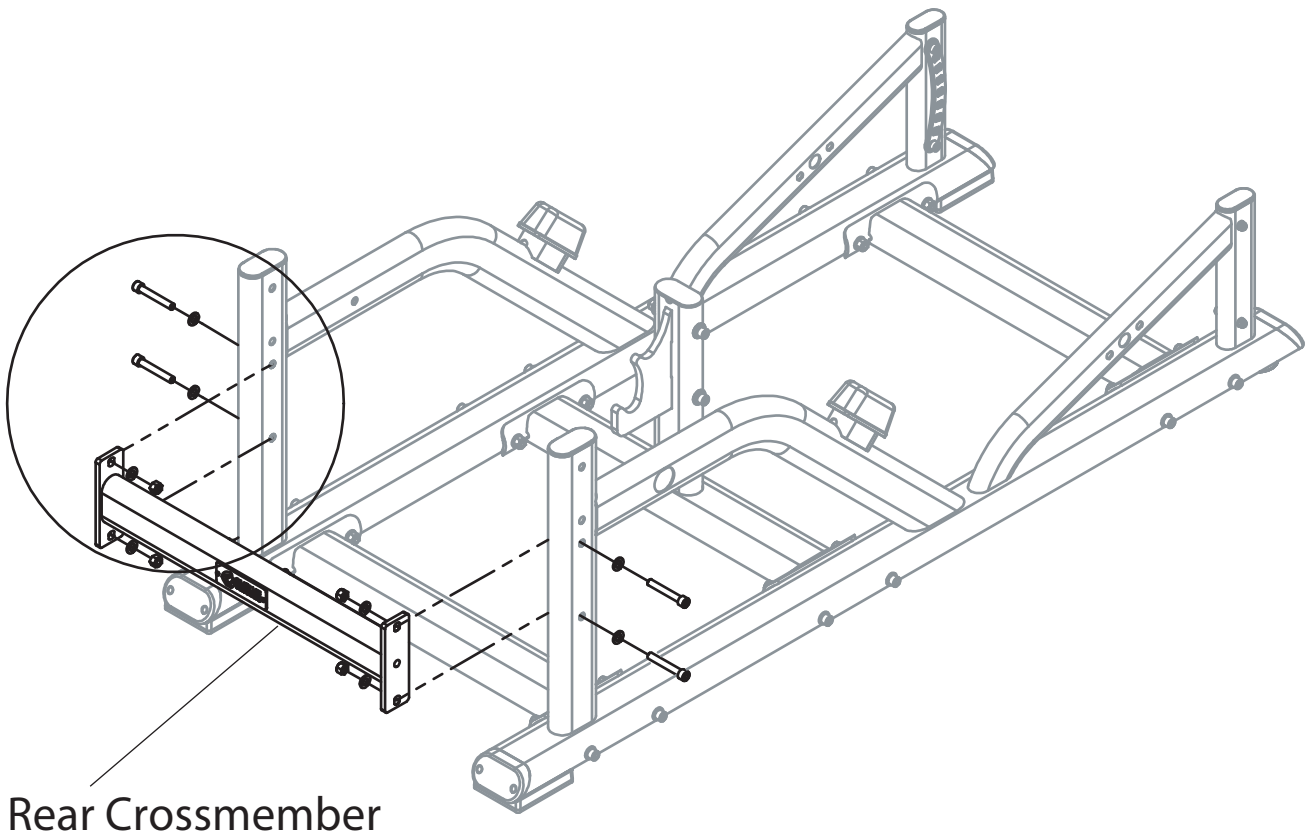
2

M12*80

Flat Washer M12



Nylon Nut M12

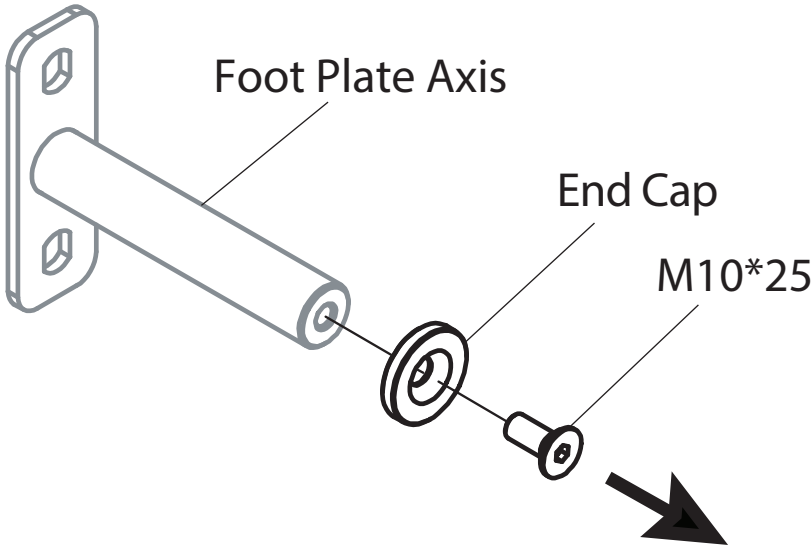
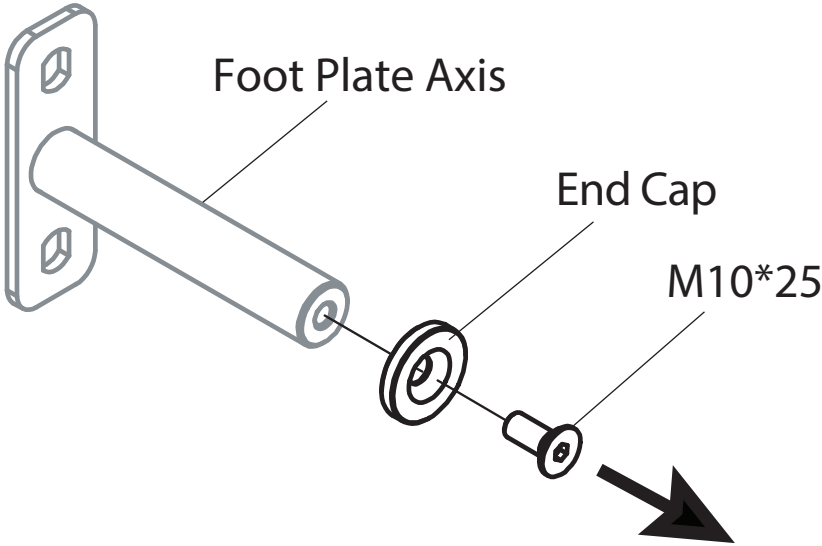


Rear Crossmember

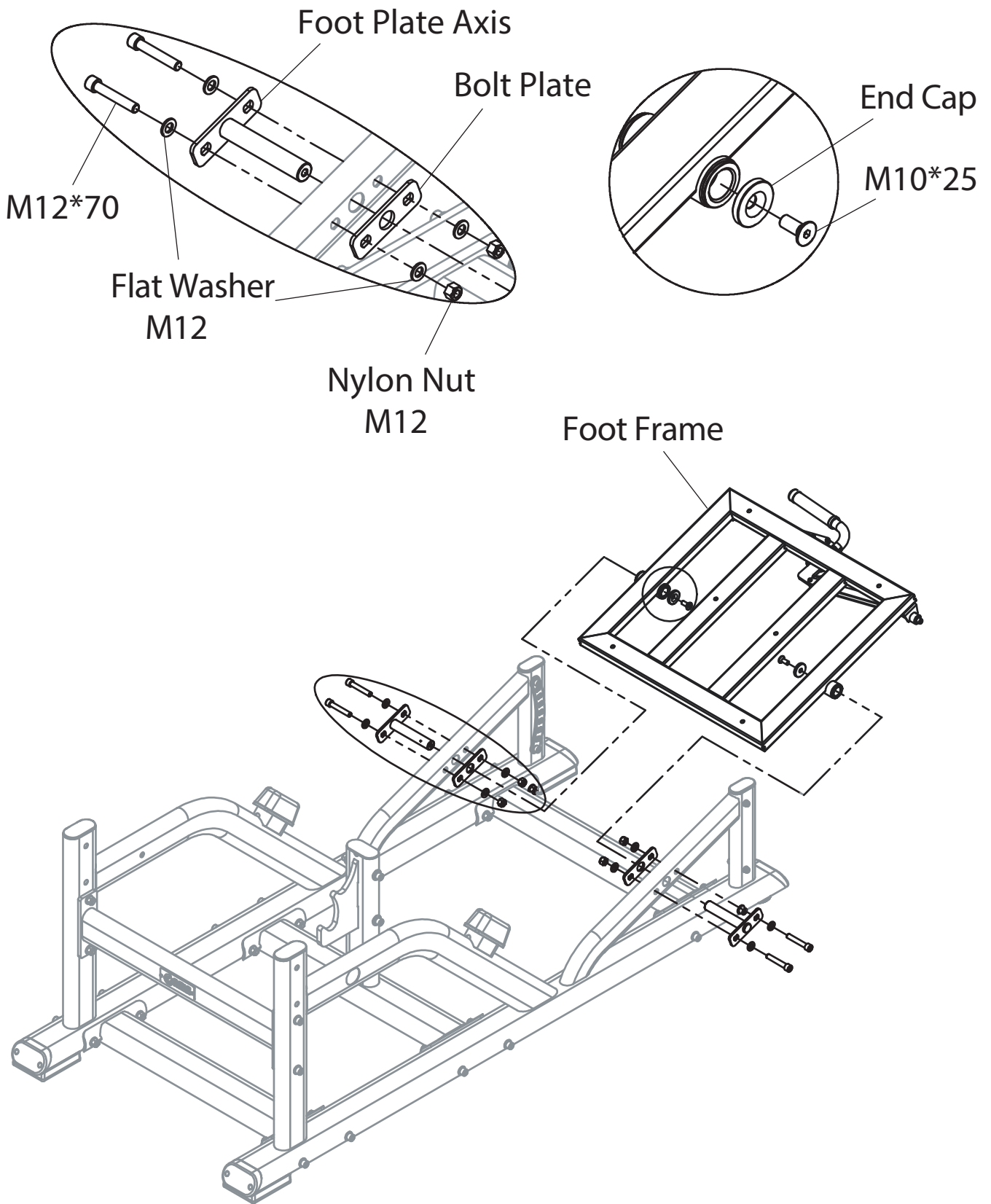


3

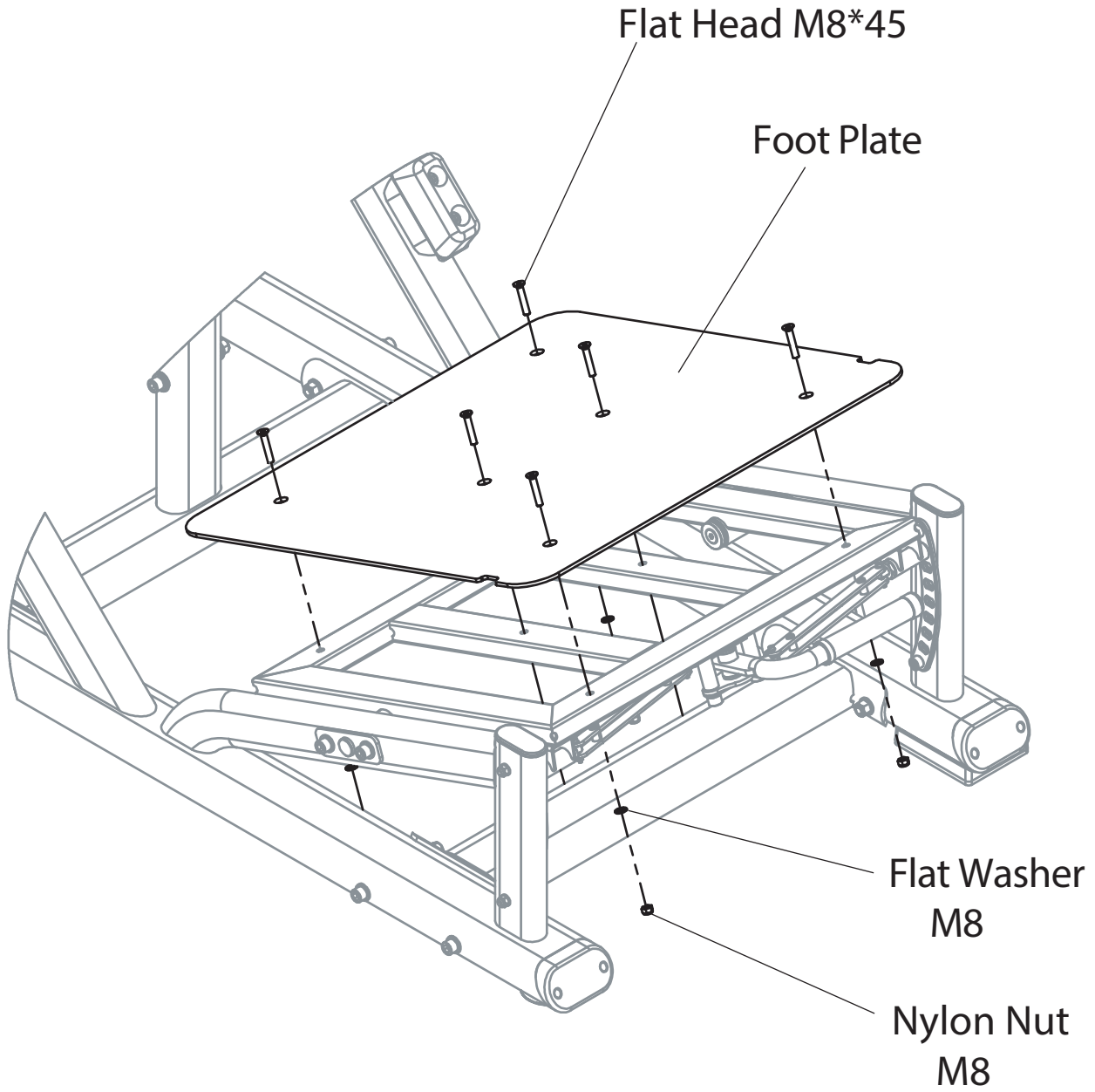
UNINSTALL



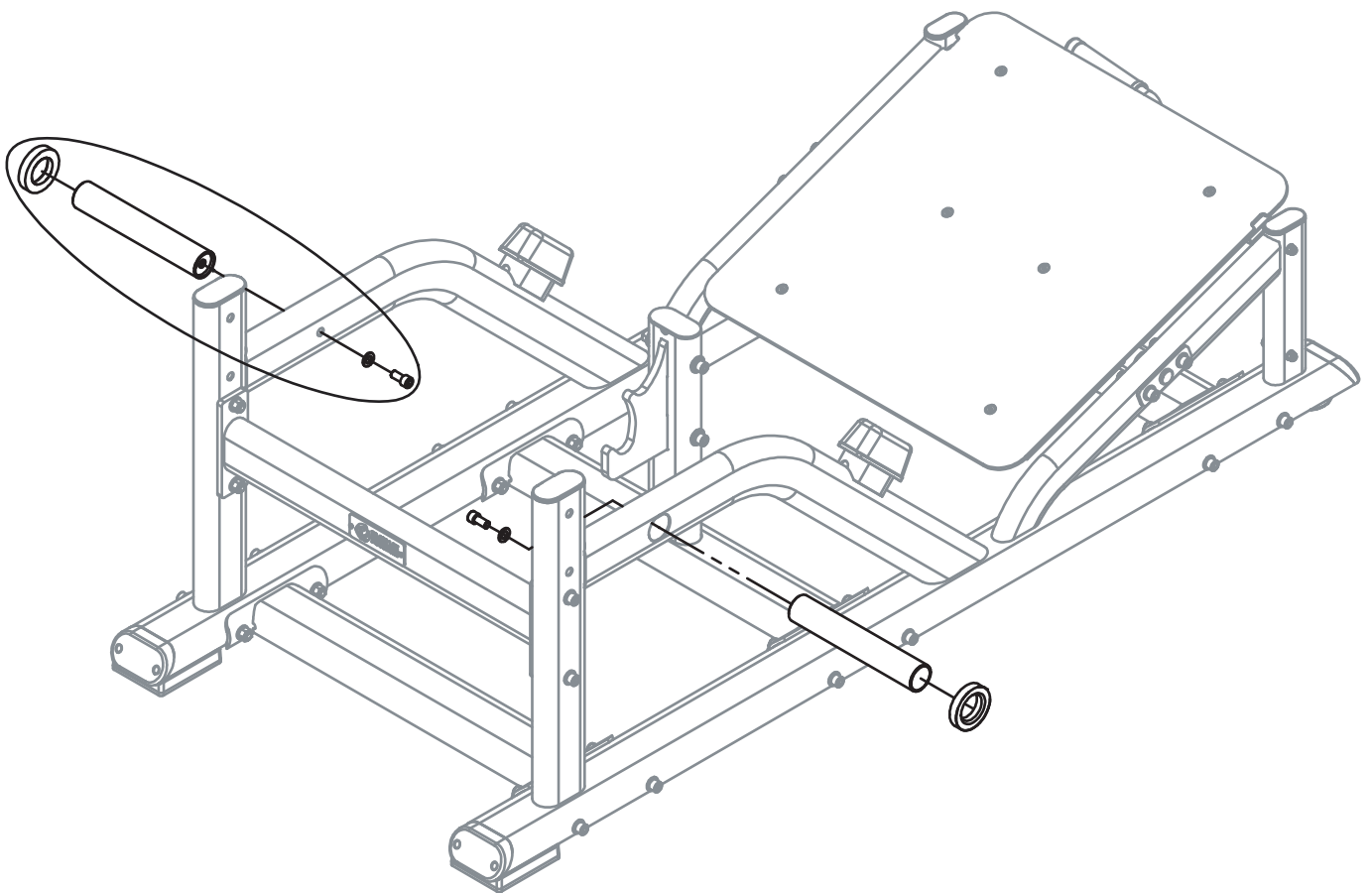
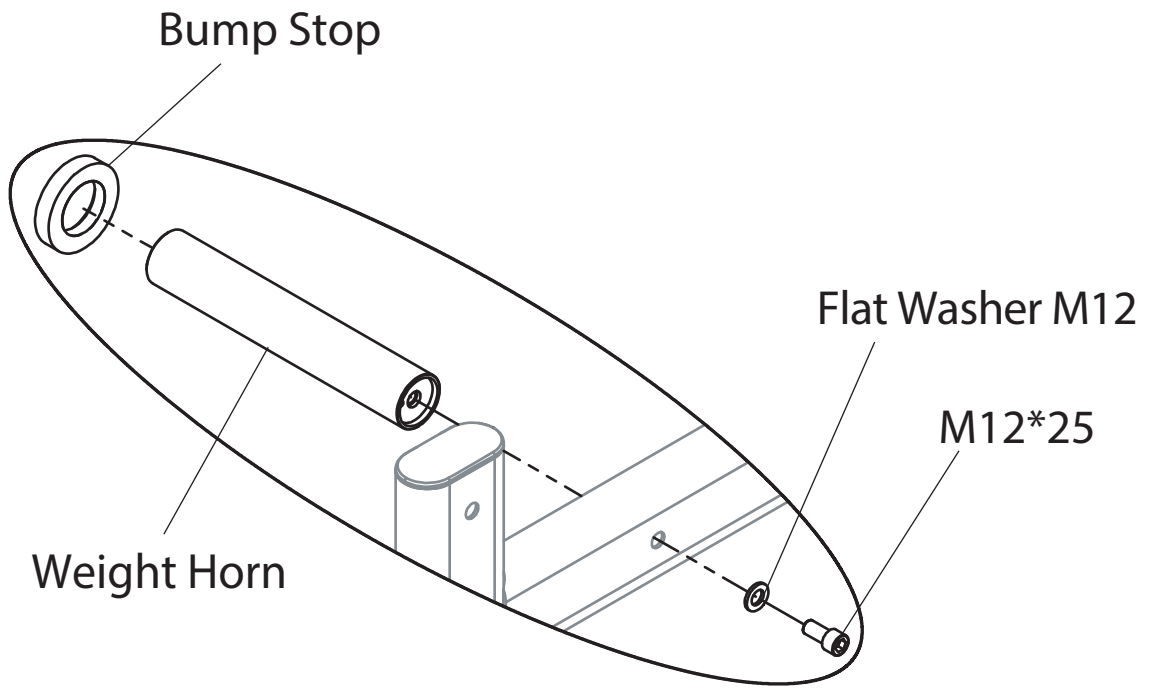
4



5

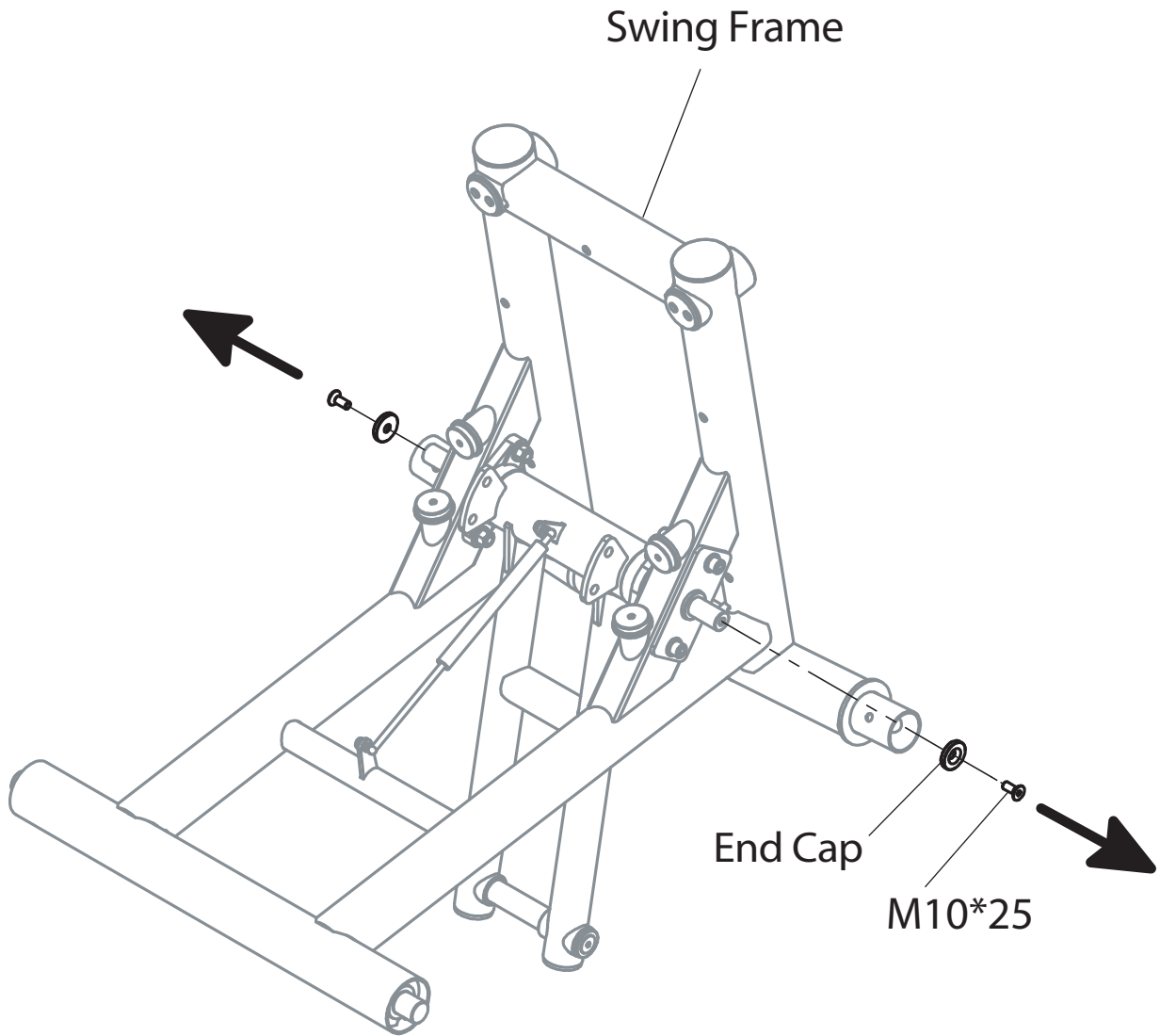


6

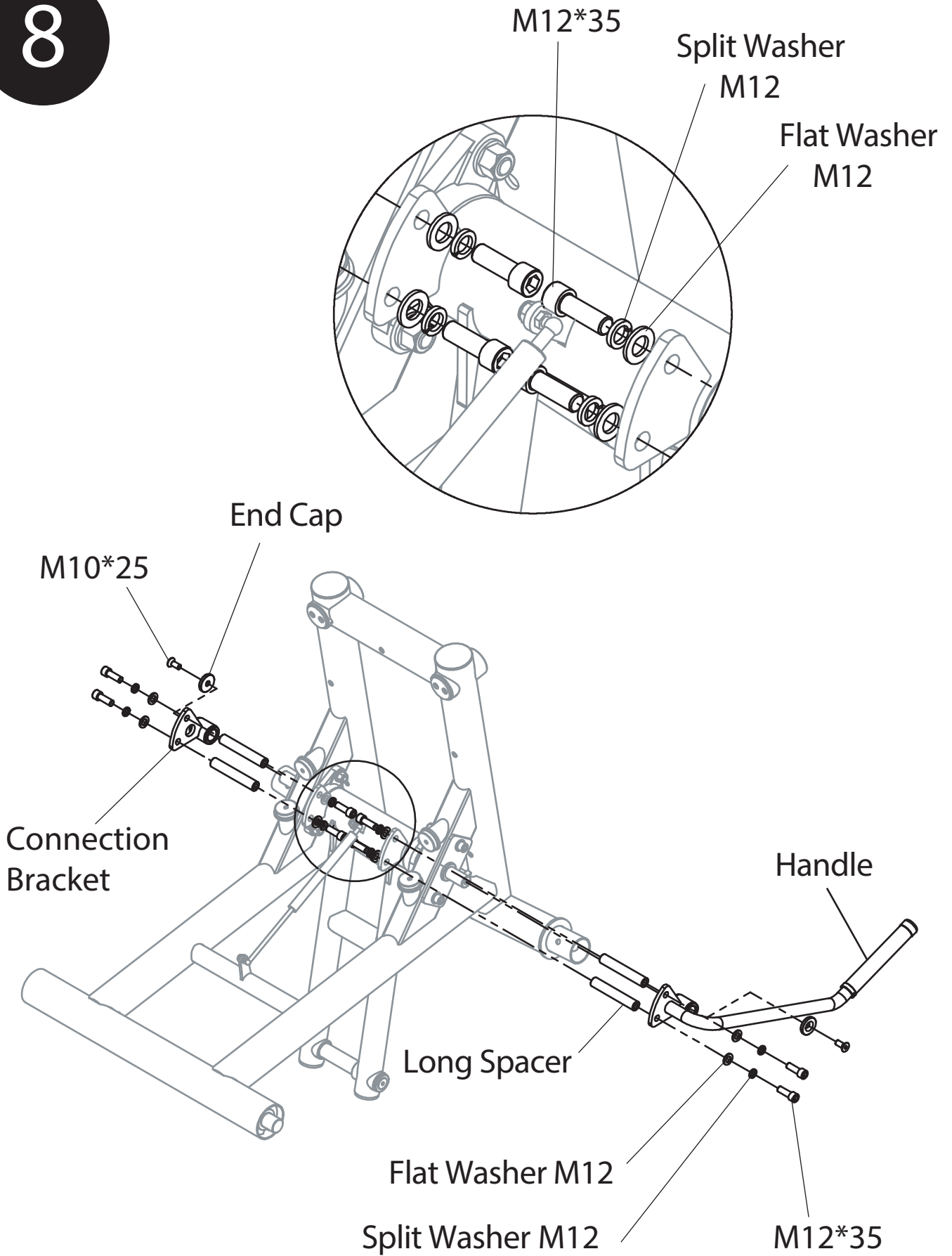


7

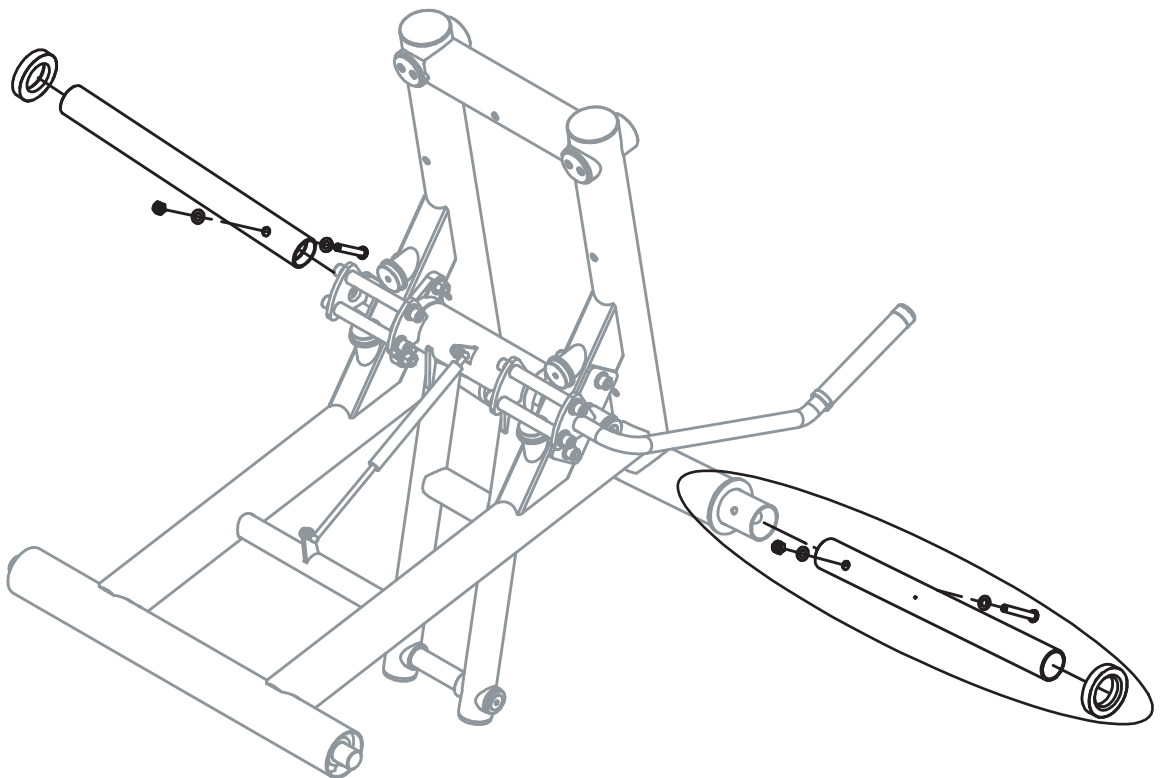
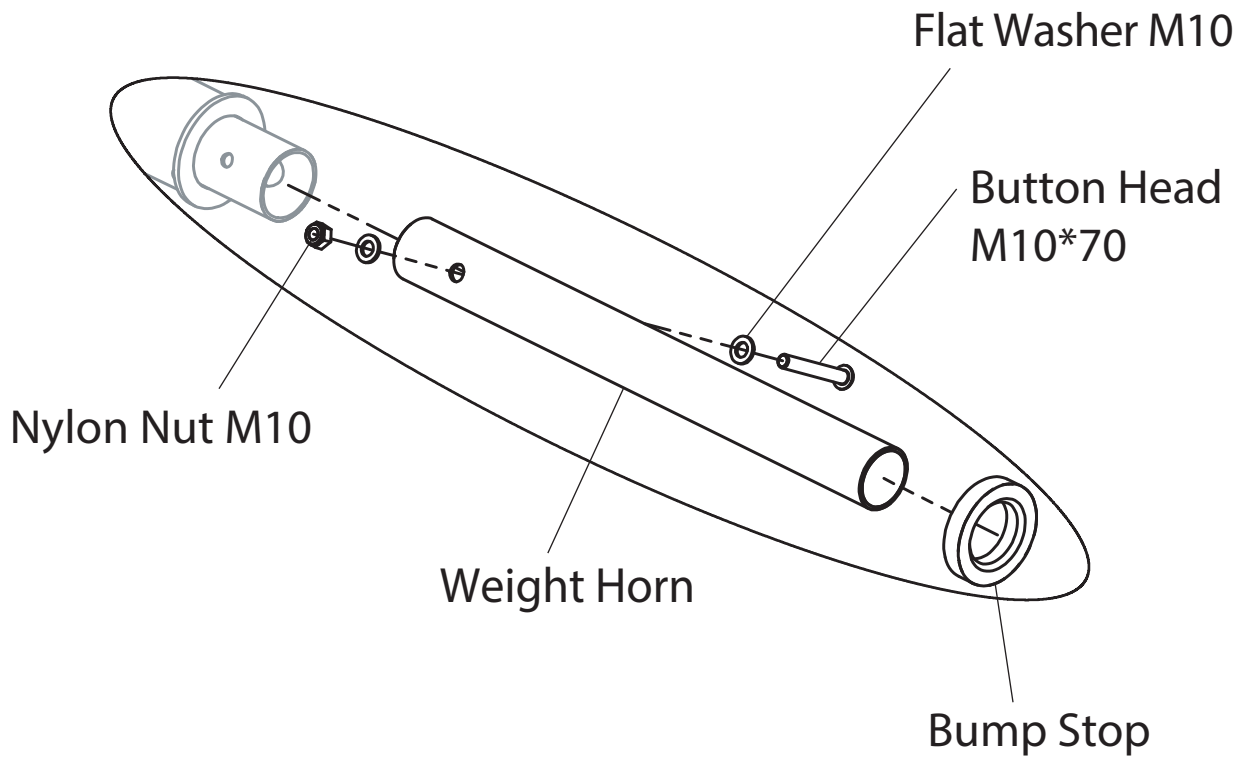
UNINSTALL



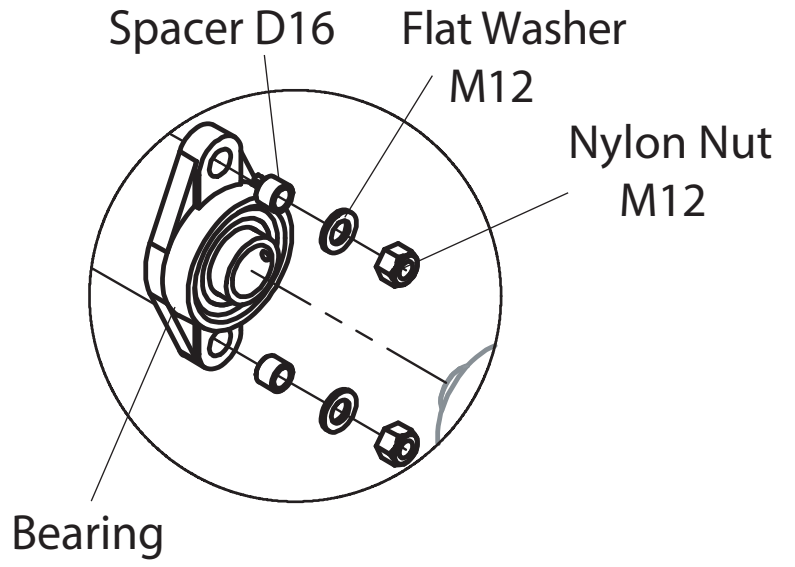
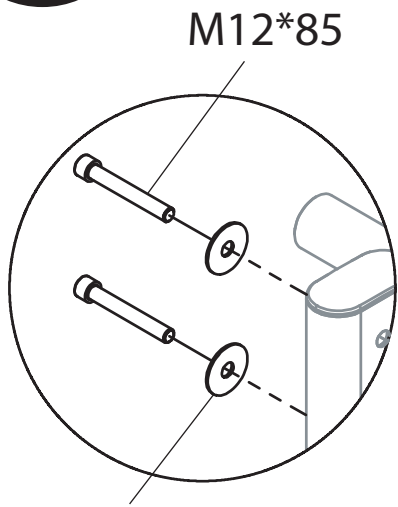
8



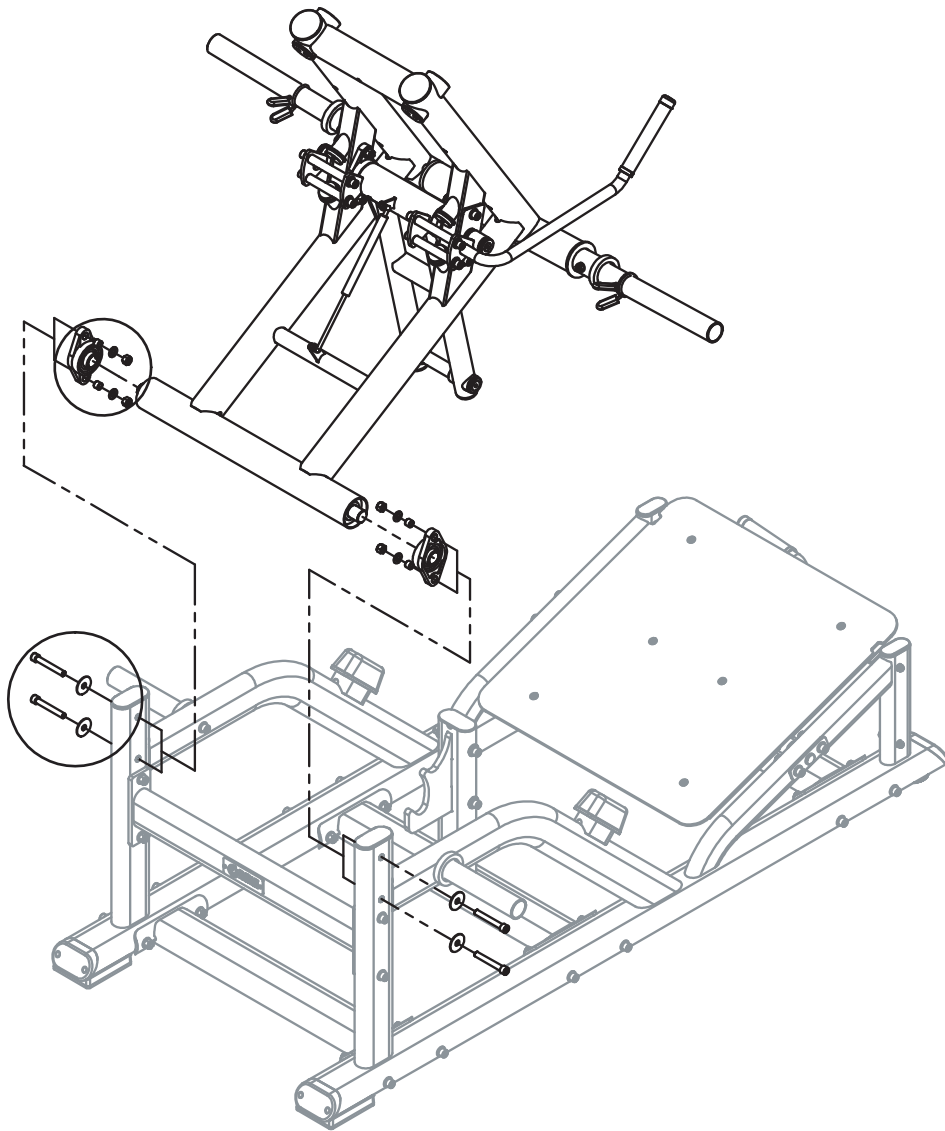
9



10



Flat Washer M12 (D44)

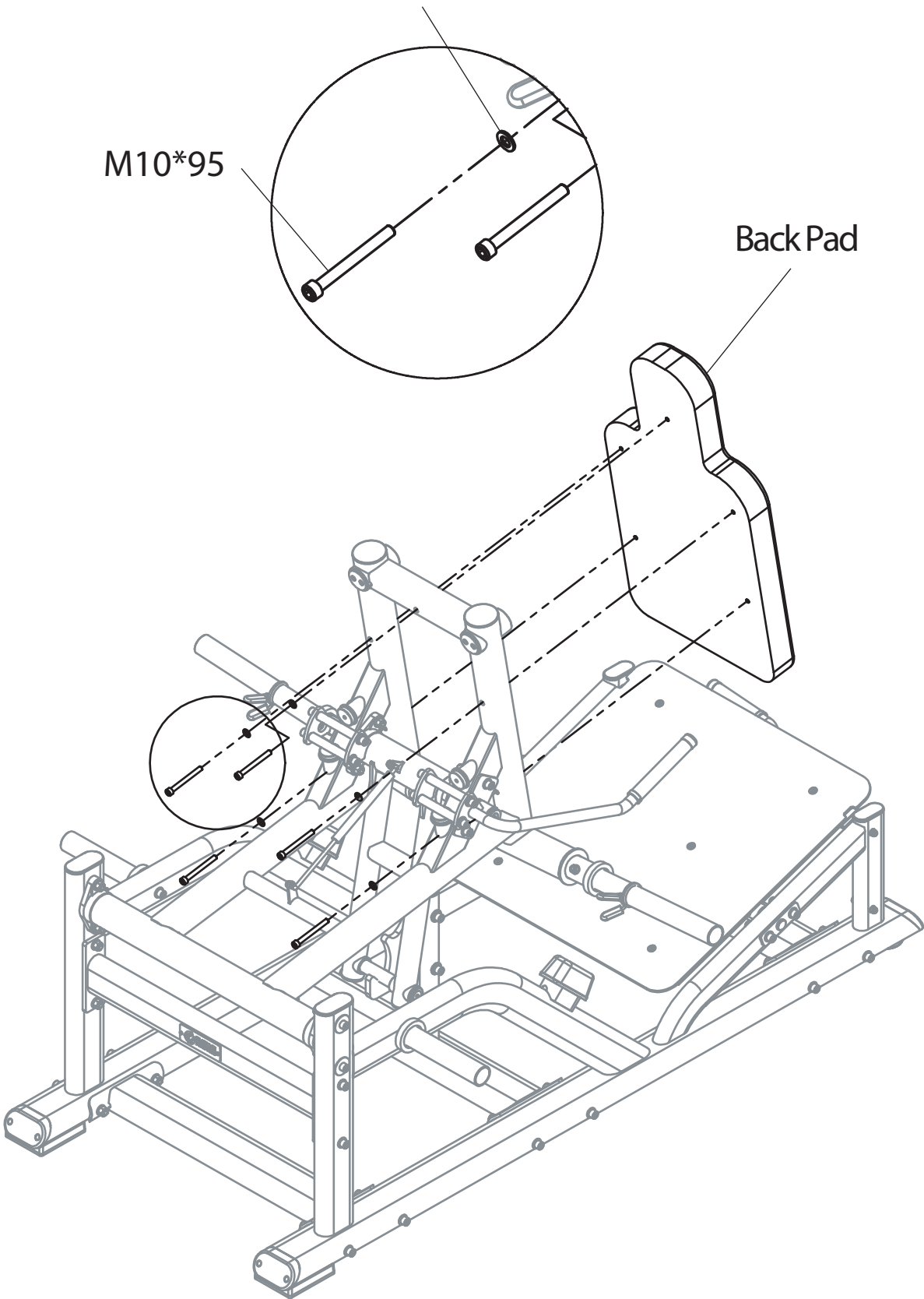


11

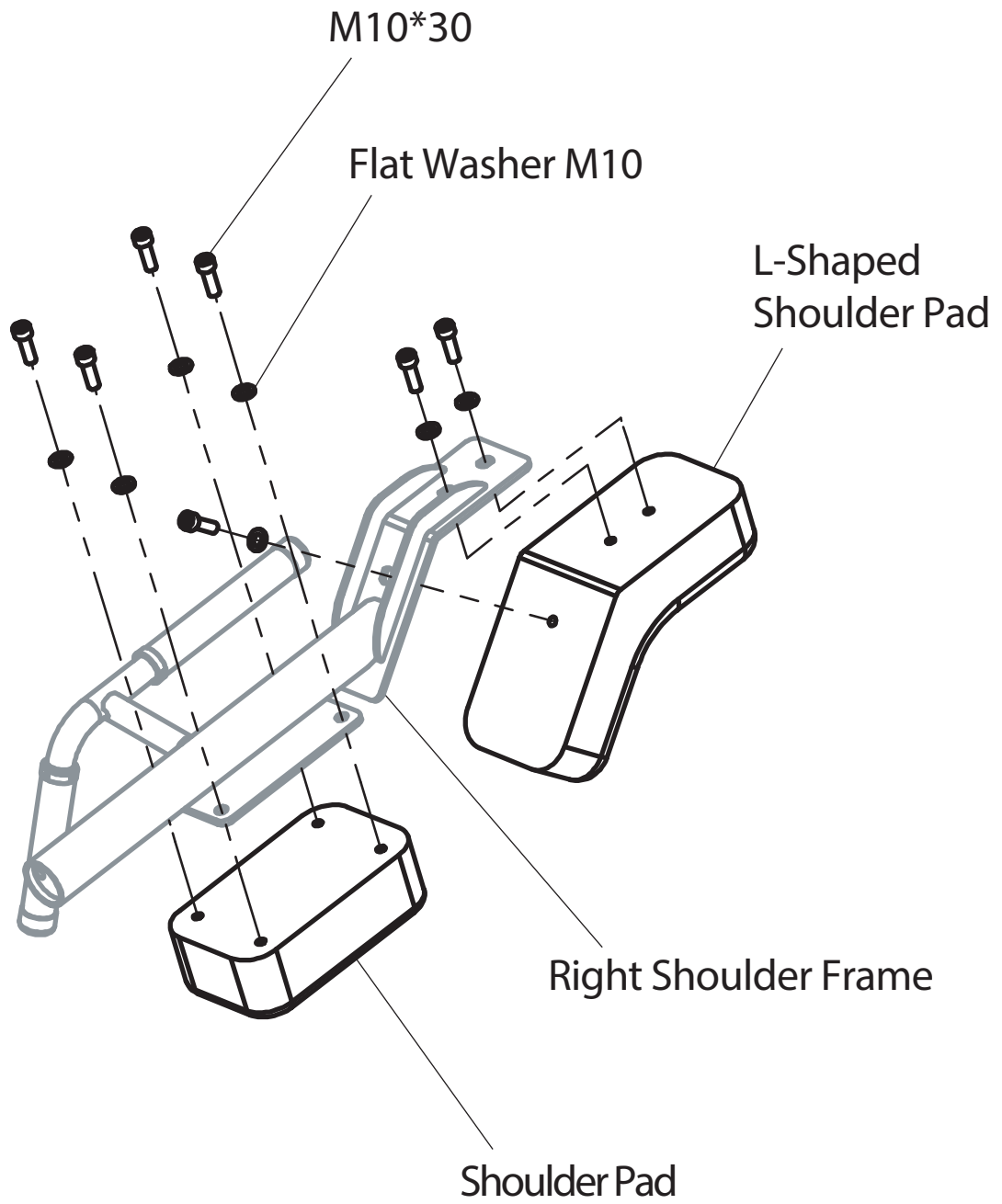
Flat Washer M10

M10*95

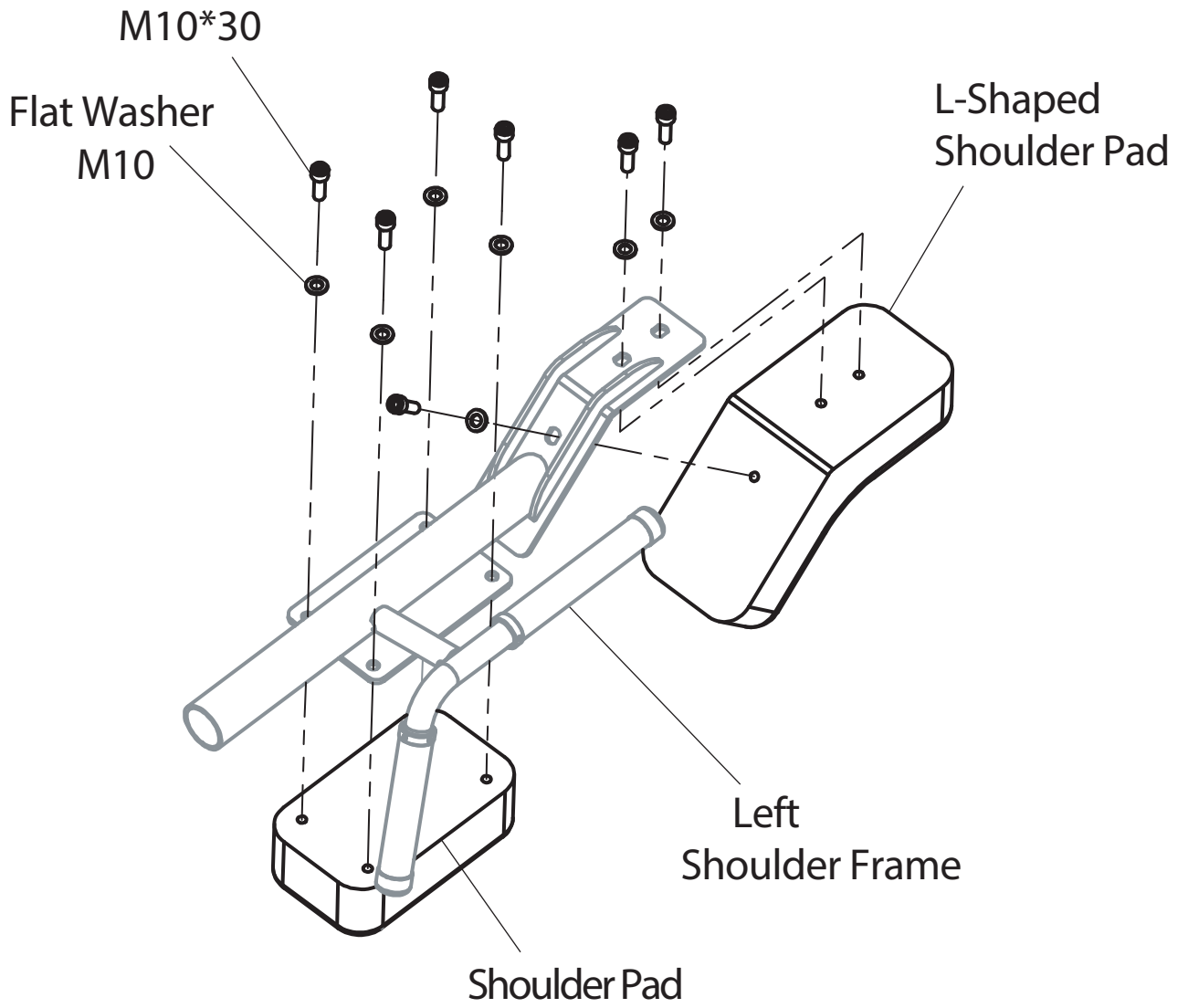
Back Pad



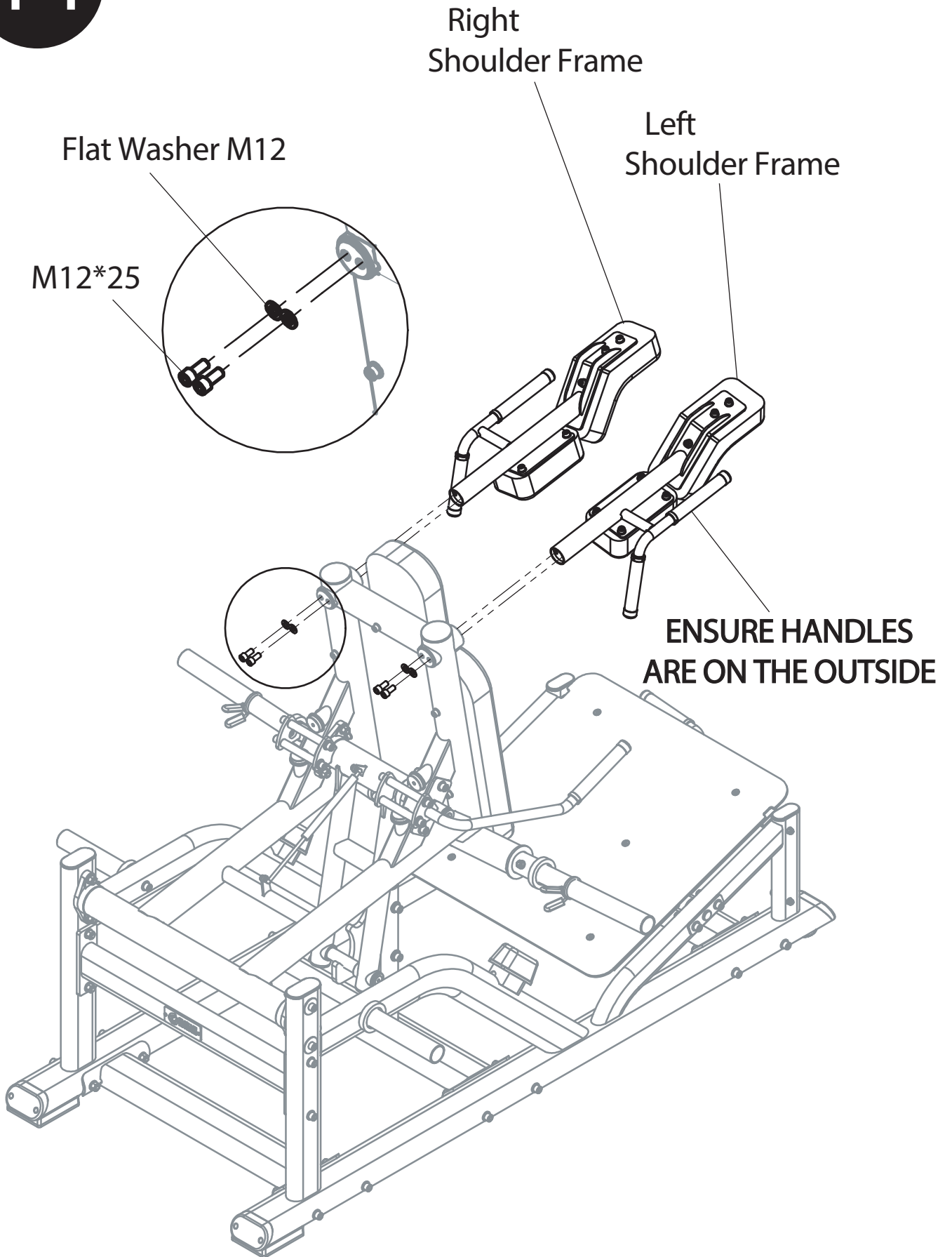
12



13



14



POST INSTALLATION

1. Tighten all hardware prior to testing the functionality of the machine.
2. Do **NOT** use if any components are damaged or if the machine does not function as intended.
3. Report any damage immediately to your local rep.

MAINTENANCE

1. **LEATHER** should be cleaned regularly to prolong the longevity of the fabric.

